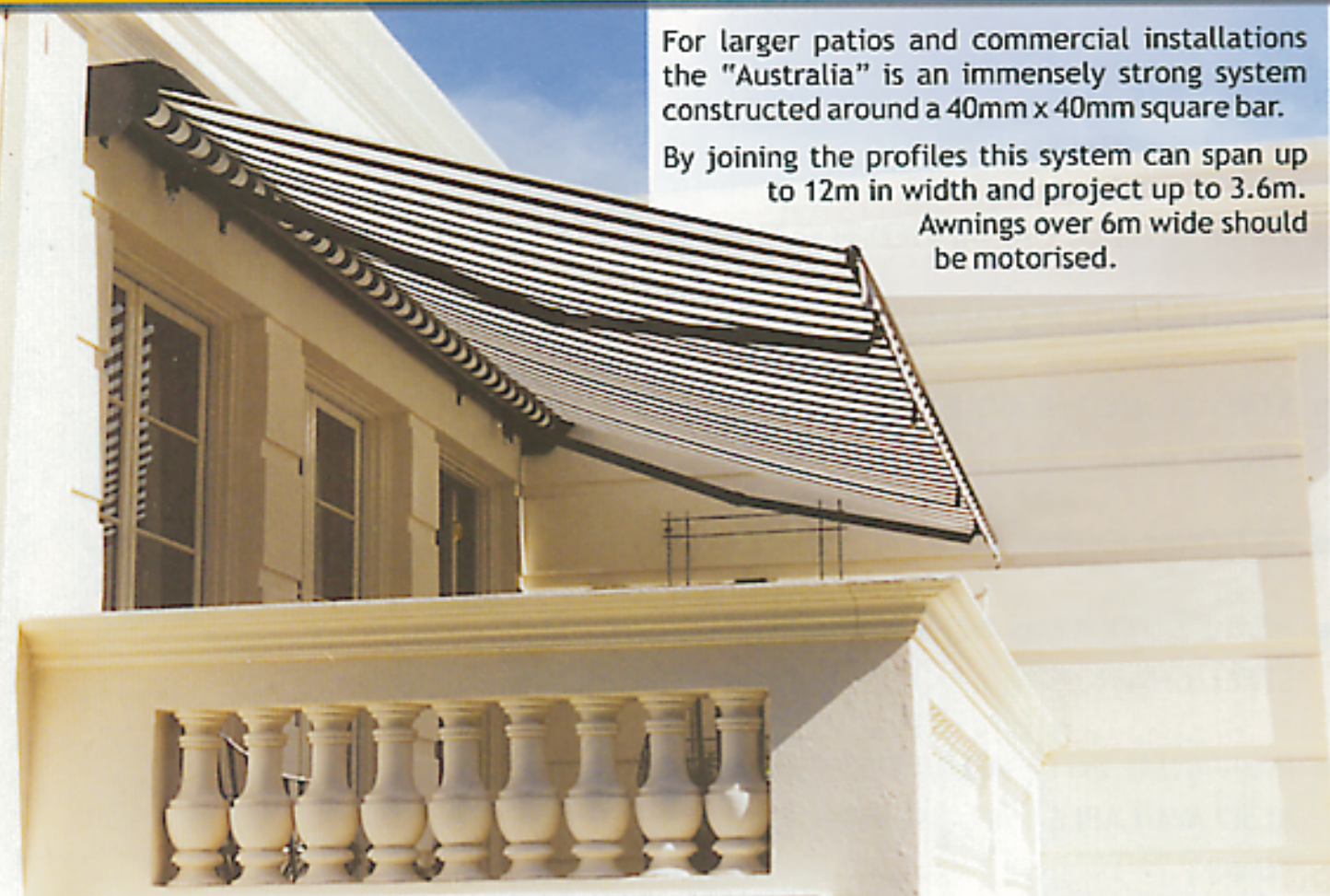


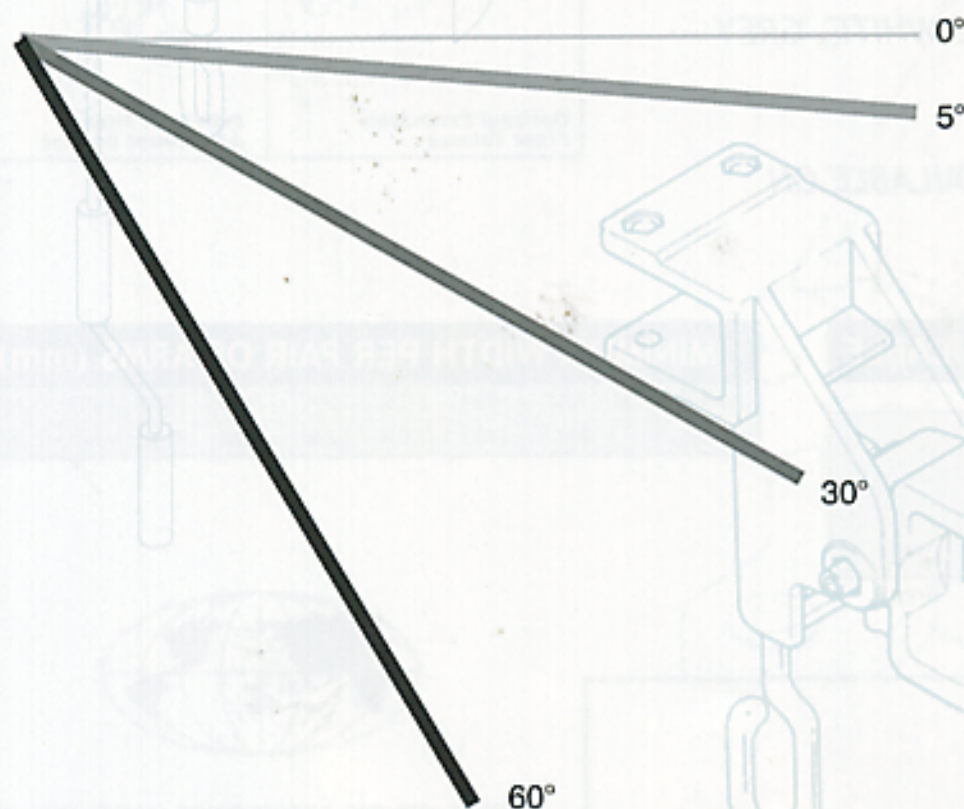
# 'Australia' Folding Arm Awning

For larger patios and commercial installations the "Australia" is an immensely strong system constructed around a 40mm x 40mm square bar.

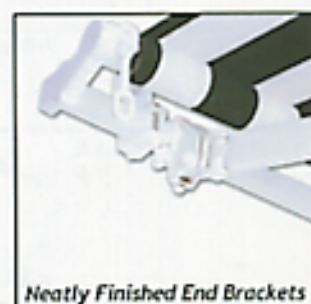
By joining the profiles this system can span up to 12m in width and project up to 3.6m. Awnings over 6m wide should be motorised.



Depicted is an awning with a pelmet fitted - This is not part of the standard awning.



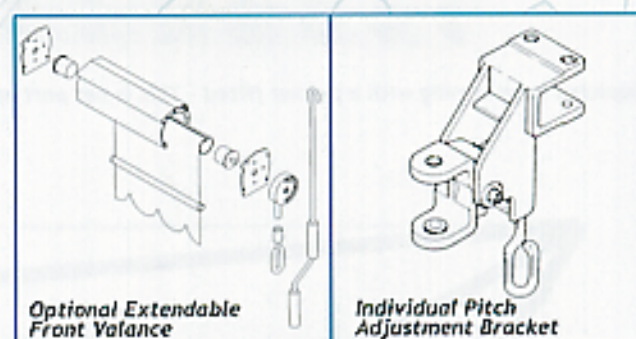
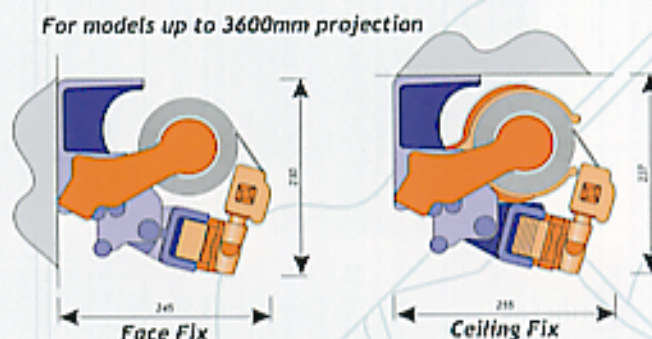
The amount of Pitch adjustment available with the Customer Adjustable Pitch Control Option.



# 'Australia' Folding Arm Awning

## Features

- 40MM X 40MM SQUARE BAR
- 70MM & 78MM GALVANISED TOP TUBE
- 7:1 GEAR BOX IS STANDARD
- STREAMLINED HEAVY EXTRUDED FRONT BAR
- OPTIONAL EXTENDABLE FRONT VALANCE
- HEAVY DUTY ARMS WITH STAINLESS STEEL CHAIN
- INDIVIDUAL PITCH ADJUSTABLE ARMS ARE ALSO AVAILABLE - ADJUSTMENT RANGE 5° TO 60°
- PROJECTIONS FROM 1600MM TO 3600MM
- STANDARD COLOURS ARE WHITE, GREY OR IVORY
- OTHER COLOURS ARE AVAILABLE ON REQUEST



### STANDARD COLOURS AVAILABLE



### MINIMUM WIDTH PER PAIR OF ARMS (mm)

ARM LENGTH	1600	1850	2100	2350	2600	2850	3100	3600
1 PAIR	1910	2160	2410	2660	2910	3160	3410	3910

YOUR GLOBAL DEALER:



GLOBAL AWNING ACCESSORIES (AUST) PTY LTD  
sales@globalawnings.com.au  
www.globalawnings.com.au